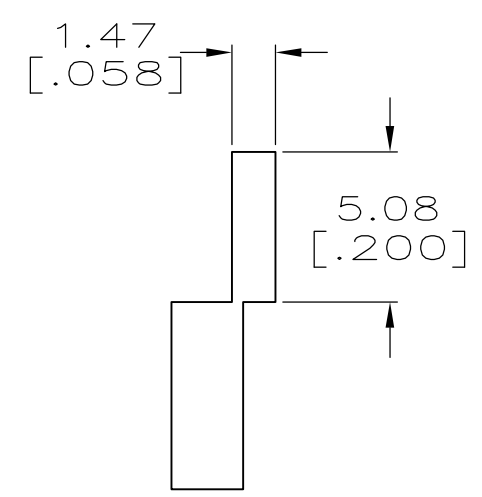
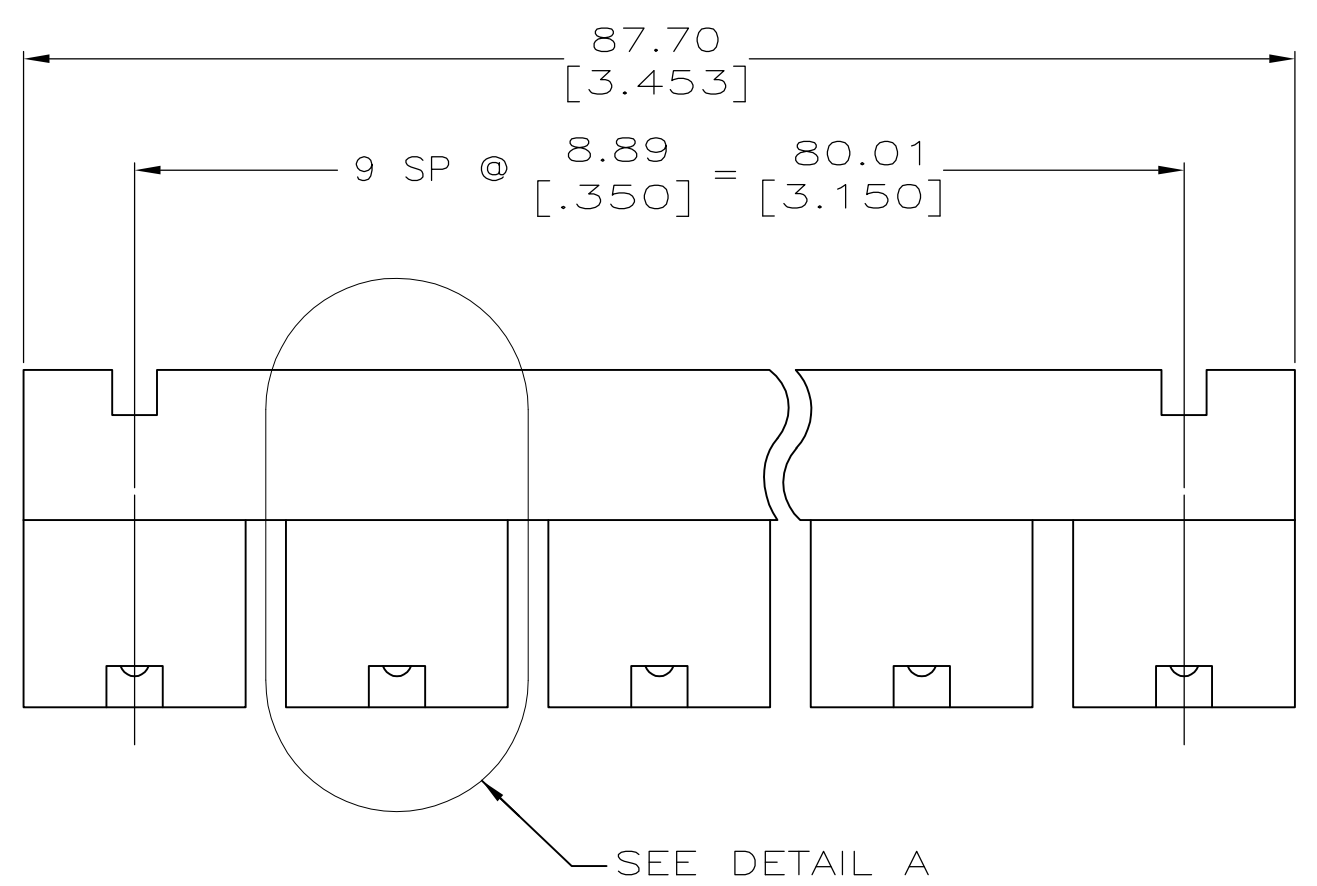
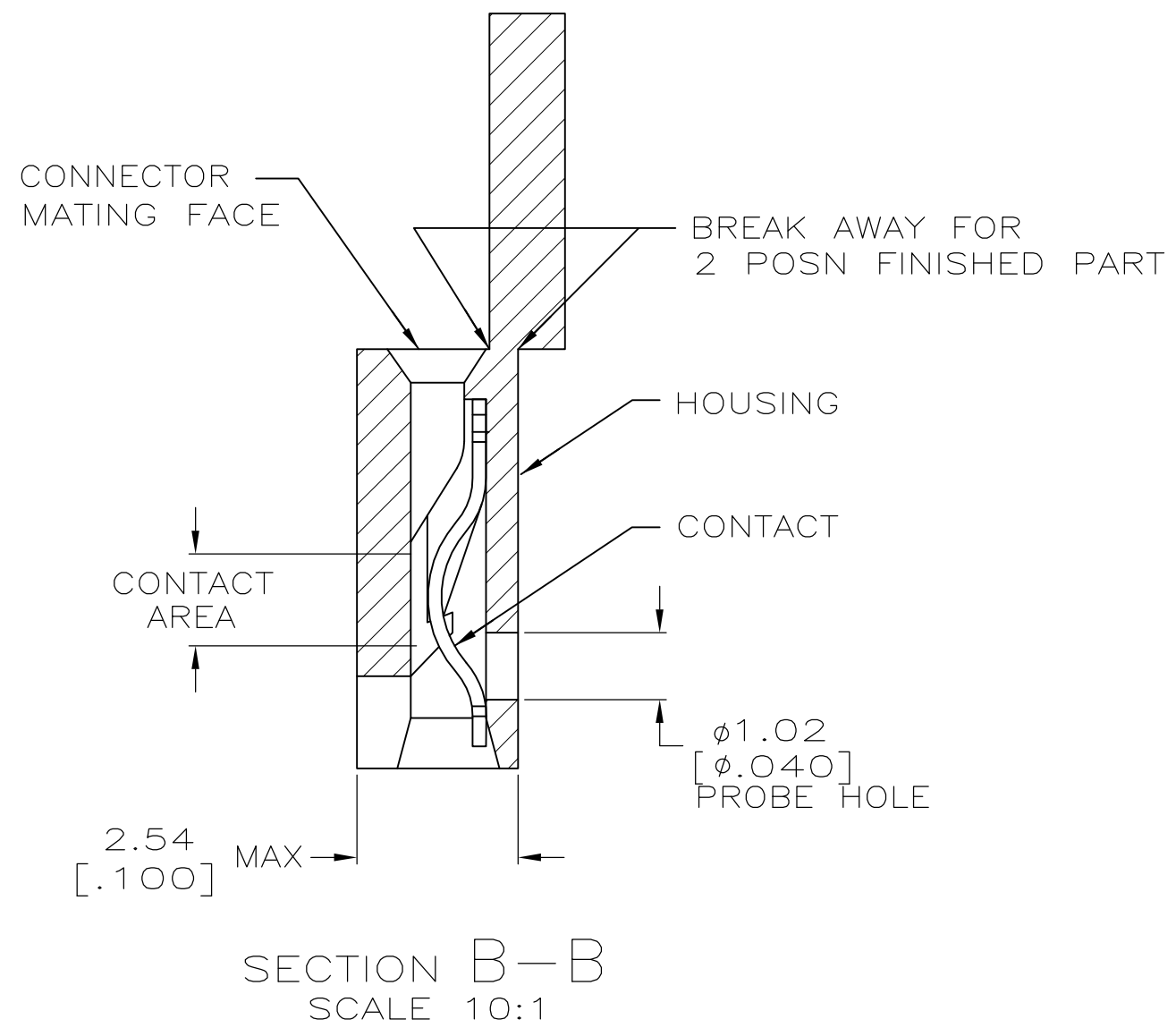
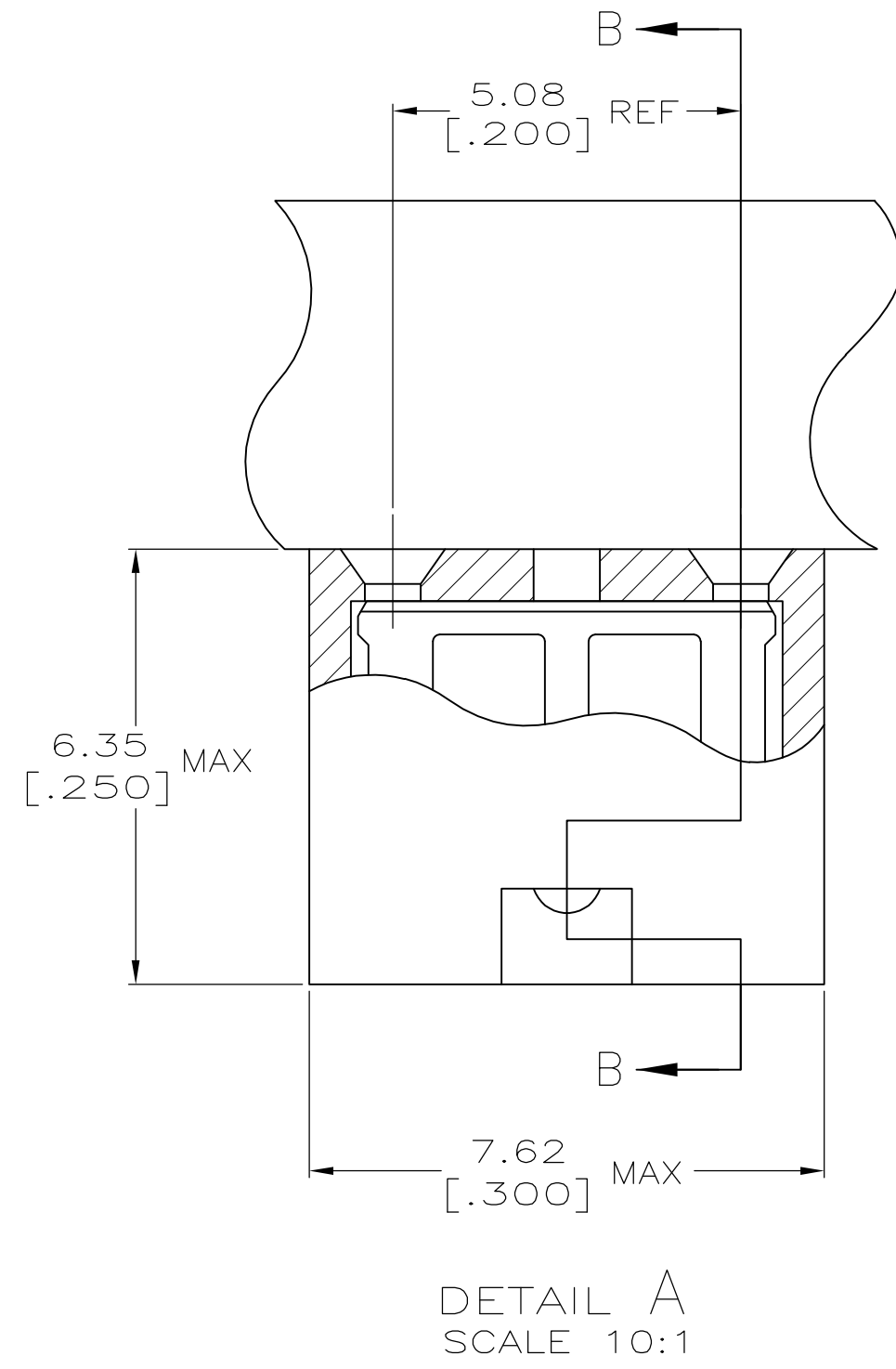


THIS DRAWING IS UNPUBLISHED. RELEASED FOR PUBLICATION
 © COPYRIGHT - By - ALL RIGHTS RESERVED.

| LOC | | DIST | | REVISIONS | | | |
|-----|-----|---------------------------|---------|-----------|------|--|--|
| P | LTR | DESCRIPTION | DATE | DWN | APVD | | |
| AG | 00 | | | | | | |
| | F2 | REVISED PER ECO-11-004820 | 11MAR11 | RK | HMR | | |



- 1 MATERIAL:
HOUSING: GLASS-FILLED POLYESTER, COLOR-BLACK.
CONTACT: BERYLLIUM COPPER.
- 2 CONTACT PLATED WITH 0.00254 [.000100] TIN-LEAD OVER ALL.
- 3 CONTACT PLATED WITH 0.00038 [.000015] GOLD IN CONTACT AREA OVER 0.00127 [.000050] NICKEL OVER ALL.
- 4 CONTACT PLATED WITH 0.00076 [.000030] GOLD IN CONTACT AREA OVER 0.00127 [.000050] NICKEL OVER ALL.
- 5 PART NO. DENOTES INDIVIDUAL TWO POSITION SHUNT, WHICH IS PACKAGED ON BREAKAWAY COMBS OF TEN SHUNTS.
- 6. CONNECTOR MATES WITH WIRE WRAP POSTS, 0.64 [.025] SQUARE OR ROUND AND 0.56 [.022] X 0.66 [.026] POSTS. LENGTH 5.08 [.200] MINIMUM.
- 7 CONTACT PLATED WITH 0.00254 [.000100] MATTE TIN OVER ALL.
- 8 PART NO. DENOTES INDIVIDUAL TWO POSITION SHUNT, WHICH IS PACKAGED LOOSE PIECE.
- 9 PRELIMINARY P/N - NOT RELEASED FOR PRODUCTION



| FINISH | PART NUMBER |
|--------|-------------|
| 7 | 531230-5 |
| 4 | 531230-4 |
| 3 | 531230-3 |
| 2 | 531230-2 |
| 1 | 531230-1 |

| | | | | | | | |
|--|--|------------------|-----------|------------------|---|------------|---------------|
| THIS DRAWING IS A CONTROLLED DOCUMENT. | | DWN | R.TALLEY | 3-12-91 | STE TE Connectivity | | |
| DIMENSIONS: mm [INCHES] | | CHK | - | - | | | |
| TOLERANCES UNLESS OTHERWISE SPECIFIED: | | APVD | - | - | LOW PROFILE SHUNT CONNECTOR 5.08 [.200] CL | | |
| 0 PLC ± - | | PRODUCT SPEC | 108-9057 | NAME | | | |
| 1 PLC ± - | | APPLICATION SPEC | 114-1059 | SIZE | CAGE CODE | DRAWING NO | RESTRICTED TO |
| 2 PLC ± - | | MATERIAL | SEE TABLE | A2 | 00779 | C=531230 | - |
| 3 PLC ± 0.26 [.010] | | FINISH | | WEIGHT | - | SCALE | 4:1 |
| 4 PLC ± - | | MATERIAL | | CUSTOMER DRAWING | SHEET | | 1 of 1 |
| ANGLES ± - | | MATERIAL | | REV | | F2 | |